

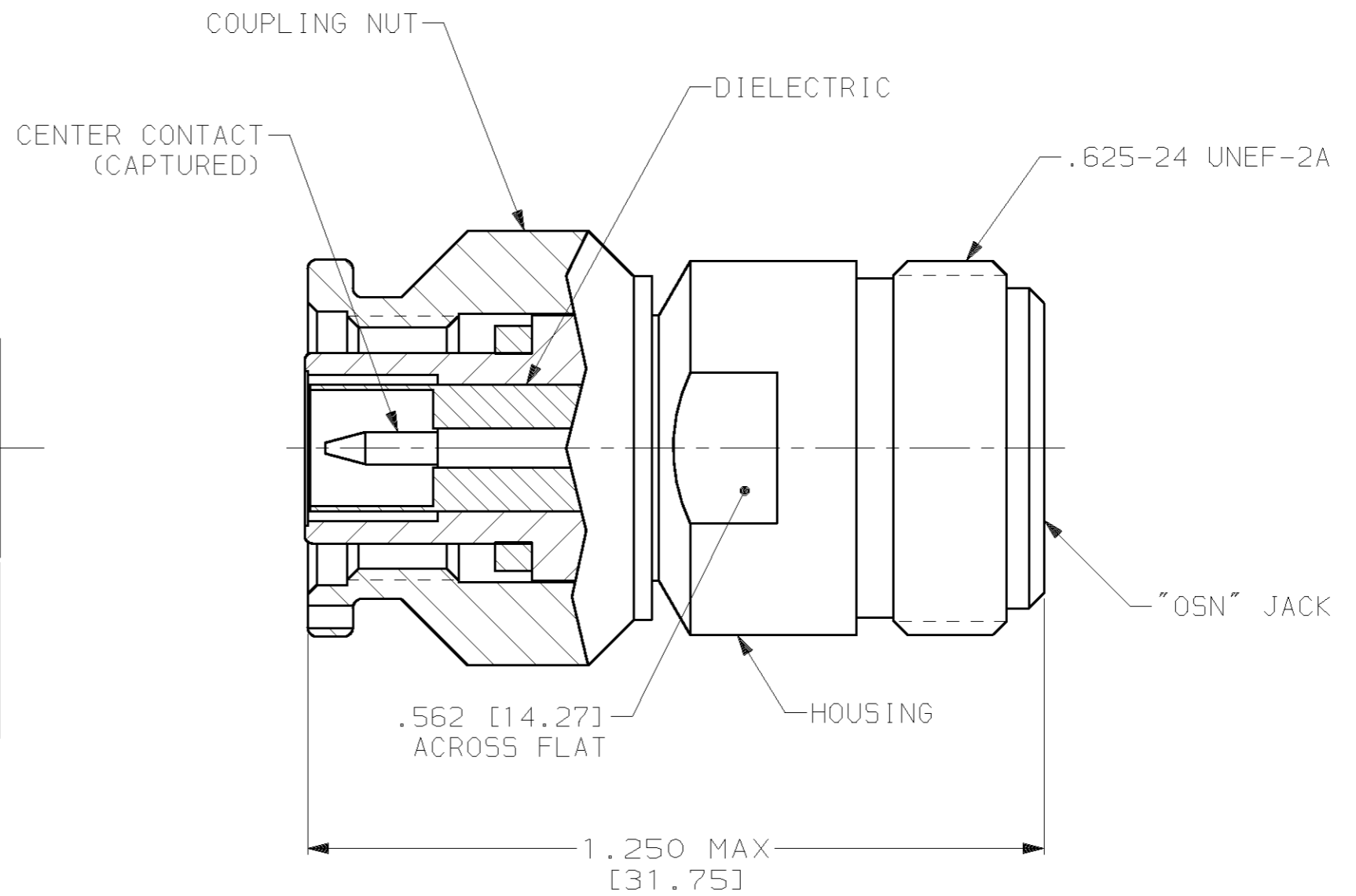
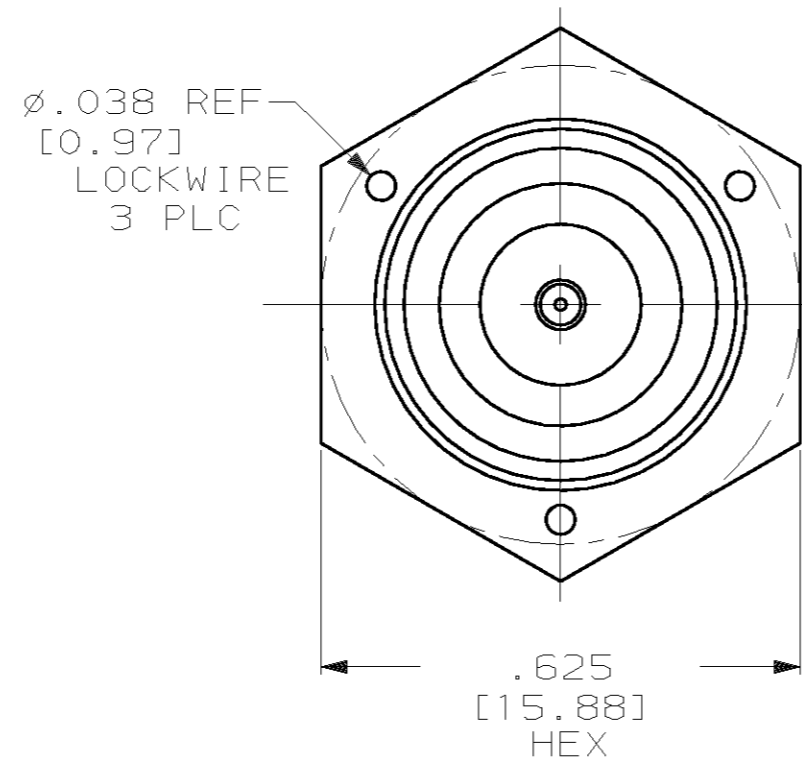
THIS DRAWING IS UNPUBLISHED. RELEASED FOR PUBLICATION  
 (C) COPYRIGHT 19 BY AMP INCORPORATED. ALL RIGHTS RESERVED.

| LOC | DIST | REVISIONS |     |             |      |     |      |
|-----|------|-----------|-----|-------------|------|-----|------|
| DF  | XO   | P         | LTR | DESCRIPTION | DATE | DWN | APVD |
|     |      | 0         |     | RELEASED    | 9-01 | CT  | RG   |

| COMPONENT               | MATERIAL  | FINISH                        |
|-------------------------|---|-------------------------------|
| HOUSING<br>COUPLING NUT | STAINLESS STEEL PER<br>ASTM-A-484 OR ASTM-A-582<br>TYPE 303                   | PASSIVATED PER<br>QQ-P-35     |
| DIELECTRIC              | PTFE FLUORCARBON<br>PER ASTM-D-1457   | -                             |
| CENTER CONTACT          | BERYLLIUM COPPER PER<br>ASTM-B-196 OR ASTM-B-197<br>ALLOY C17300, CONDITION H | GOLD PLATED PER<br>ASTM-B-488 |

**ELECTRICAL**

|                                     |  |
|-------------------------------------|--|
| NORMAL IMPEDANCE (OHMS):            | 50                                     |
| FREQUENCY RANGE (GHz):              | DC TO 18.0                             |
| VOLT RATING @ SEA LEVEL (VRMS MAX): | 500                                    |
| VSWR:                               | 1.17:1 MAX                             |
| INSERTION LOSS: (dB MAX):           | 0.4                                    |
| RF HIGH POTENTIAL VOLTAGE:          | 1,000 V <sub>rm</sub> MIN              |
| INSULATION RESISTANCE:              | 5,000 Megaohm MIN                      |
| WORKING VOLTAGE:                    | 500 V <sub>rm</sub> @ SEA LEVEL        |
| DWV:                                | 1,500 V <sub>rm</sub> MIN AT SEA LEVEL |
| CORONA LEVEL:                       | 375 V MIN AT 70,000 FEET               |
| TEMPERATURE RATING:                 | -65°C TO +165°C                        |



1484244-1  
PART NO.

|  |  |                              |   |                       |
|--|--|------------------------------|---|-----------------------|
| THIS DRAWING IS A CONTROLLED DOCUMENT. |  | DWN<br>C.C. THOMAS<br>9-5-01 | AMP TYCO Electronics Corporation<br>Harrisburg, PA 17105-3608 |                       |
| DIMENSIONS:<br>INCHES [mm]             |  | CHK<br>R. GROSS<br>9-5-01    | NAME<br>OSN JACK TO OST PLUG ADAPTER                          |                       |
|  |  | APVD<br>R. GROSS<br>9-5-01   | SIZE<br>A2  |                       |
| MATERIAL<br>SEE TABLE                  |  | PRODUCT SPEC<br>-            | CAGE CODE<br>00779  | DRAWING NO<br>1484244 |
| FINISH<br>SEE TABLE                    |  | APPLICATION SPEC<br>-        | RESTRICTED TO<br>-  | SCALE<br>4:1          |
|  |  | WEIGHT<br>-                  | SHEET<br>1 OF 1   | REV<br>0              |
|  |  | CUSTOMER DRAWING             |   |                       |